

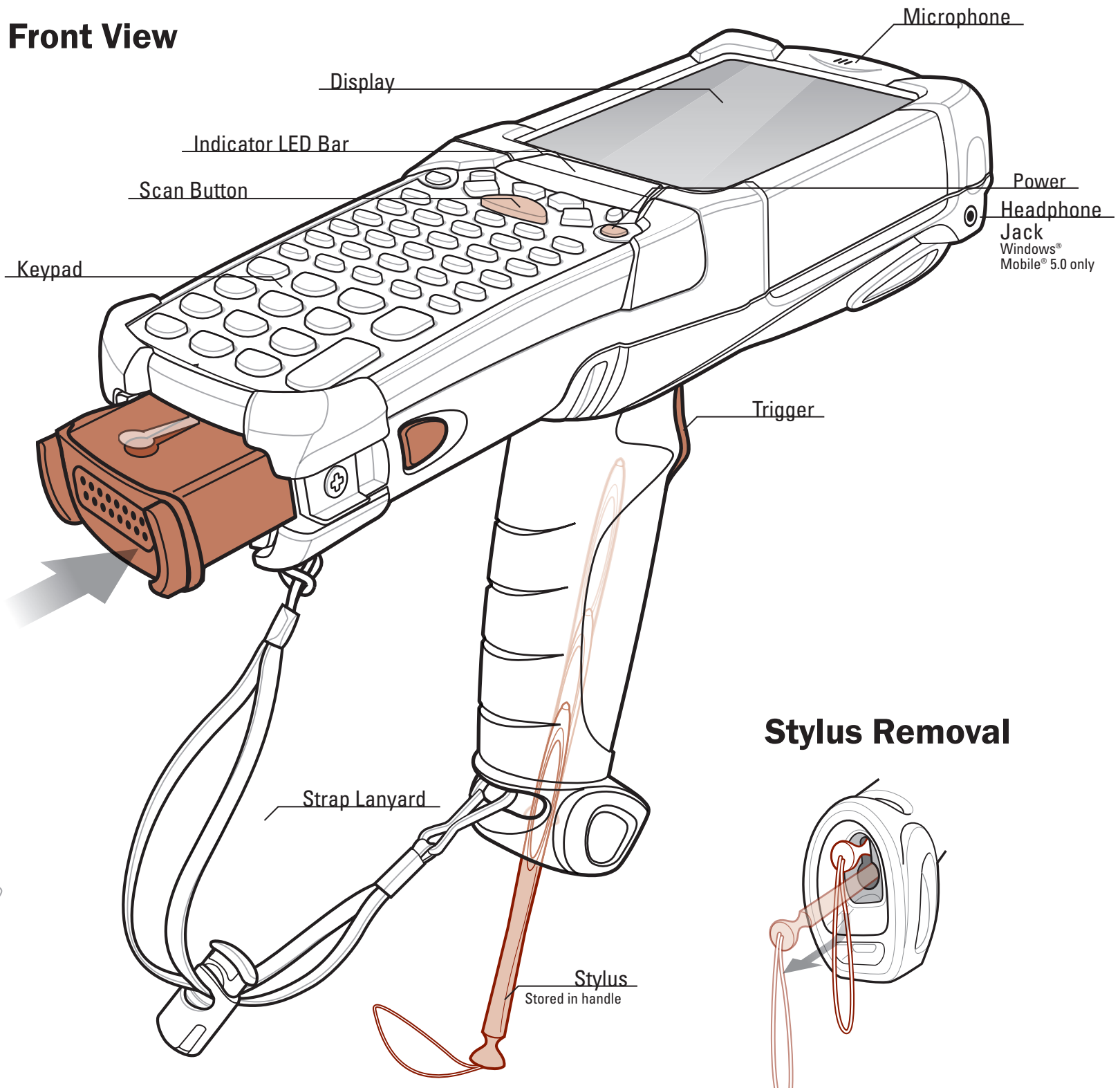
MC9090-G

Quick Start Guide

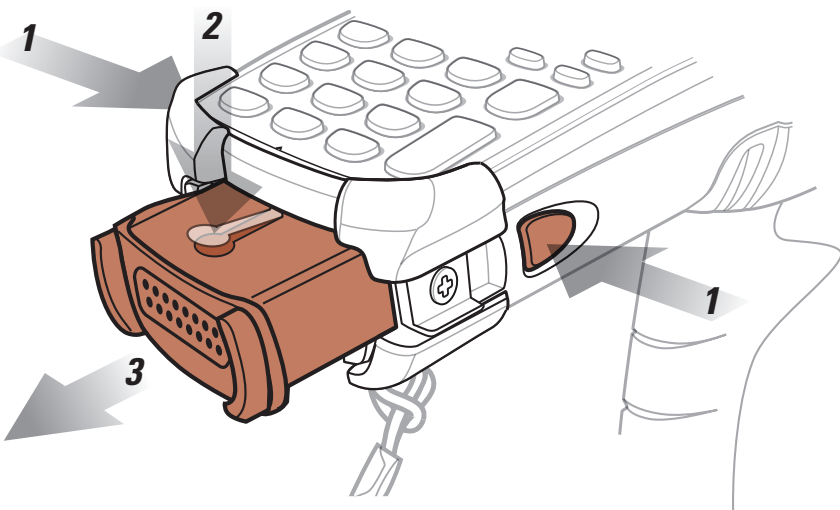
<http://www.symbol.com/mc9000>
See User Guide for more information

BATTERY INSERTION

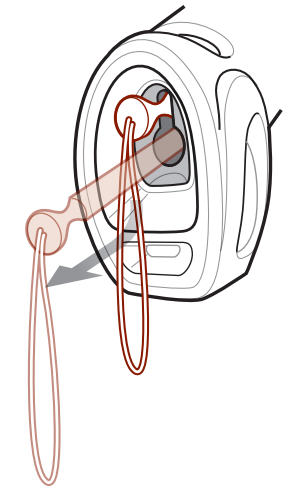
Front View



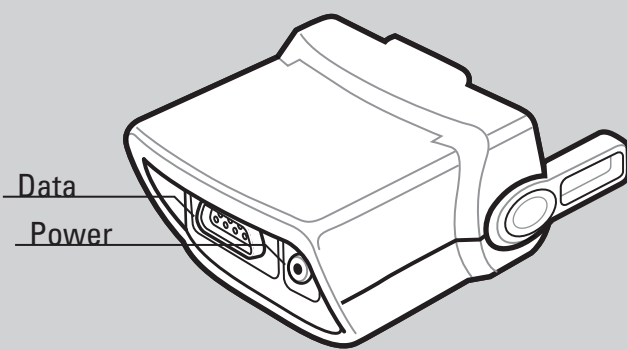
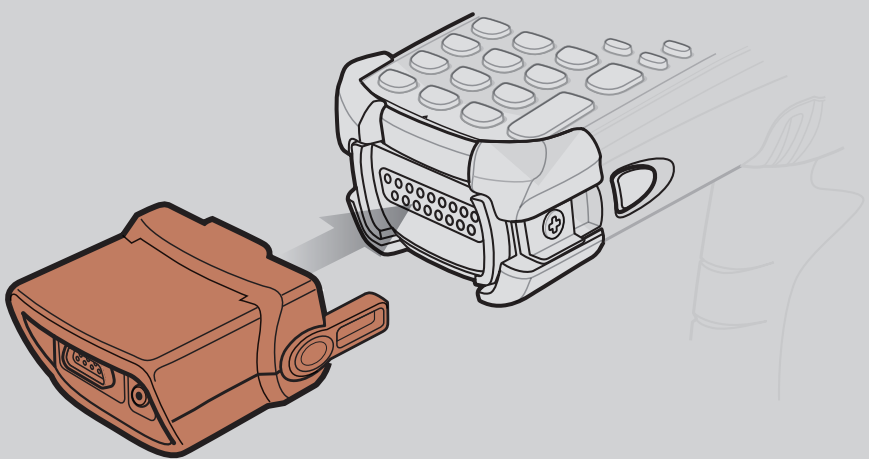
Battery Removal



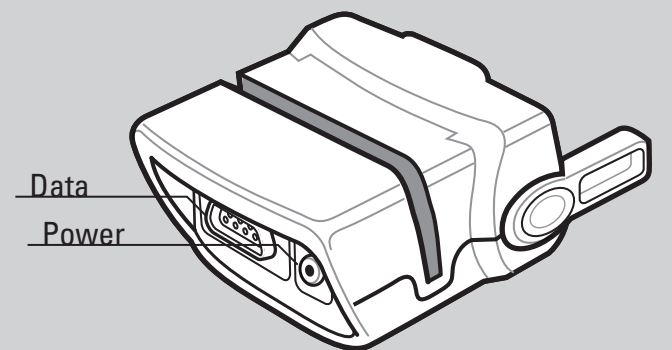
Stylus Removal



SNAP-ON ACCESSORY INSTALLATION



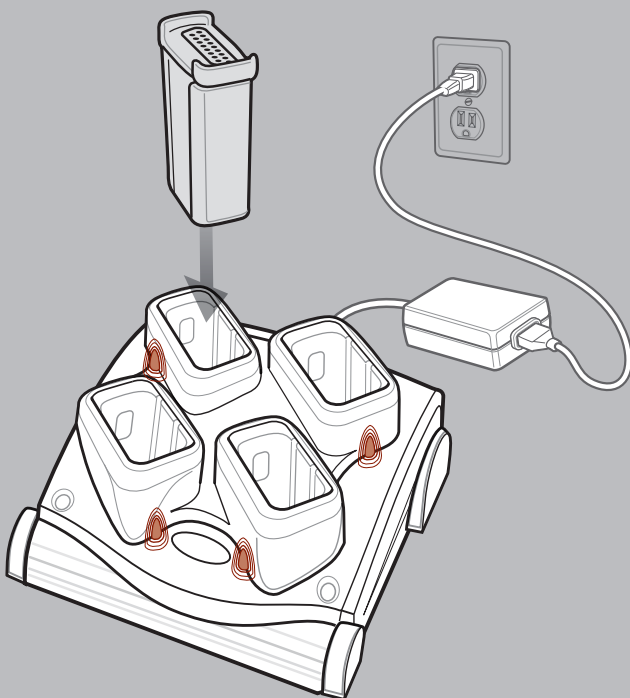
Cable Adapter Module



Magnetic Strip Reader

CHARGING INSTRUCTIONS

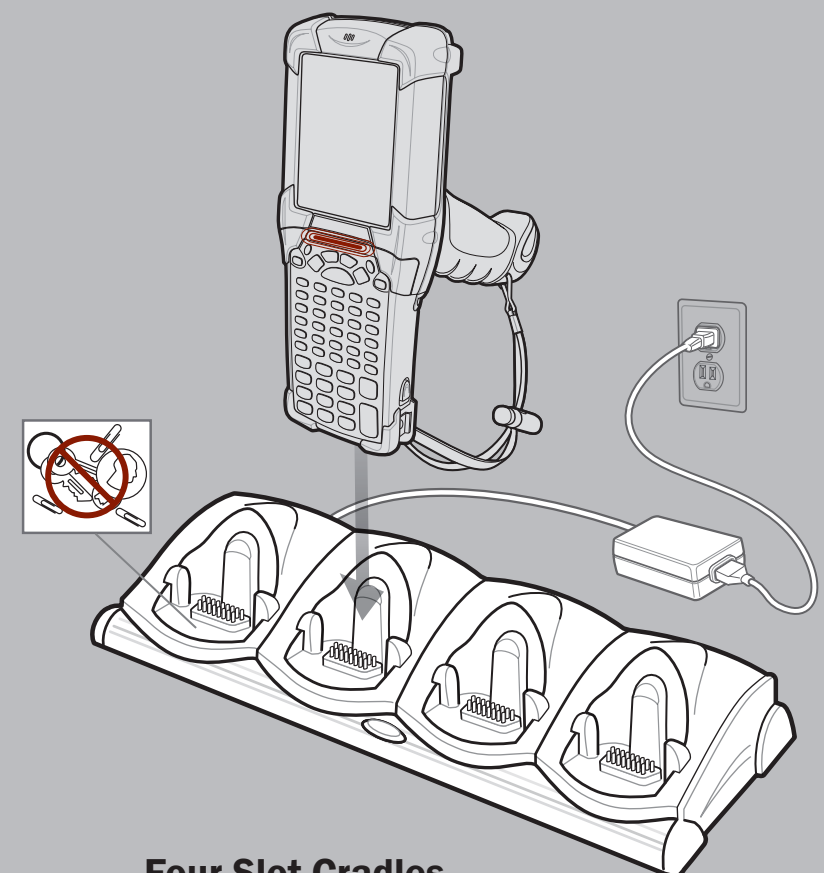
● = LED Indicator Location Slow Flash = Normal Charge Solid Amber = Full Charge Fast Flash = Charging Error



Four Slot Spare Battery Charger

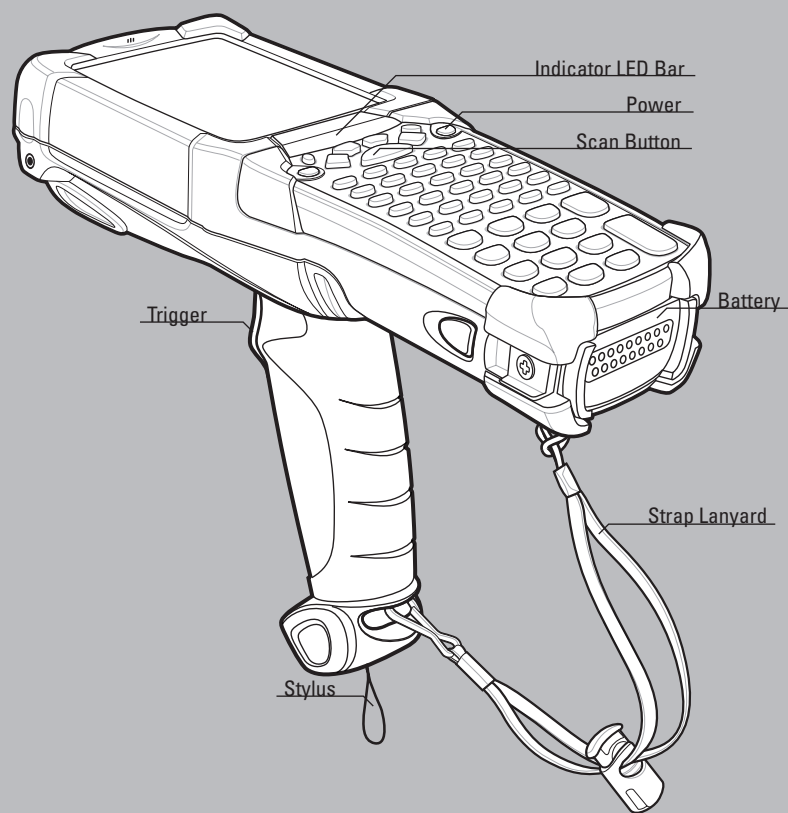


Single Slot Serial/USB Cradle



Four Slot Cradles
Charge-Only Cradle and Ethernet Cradle

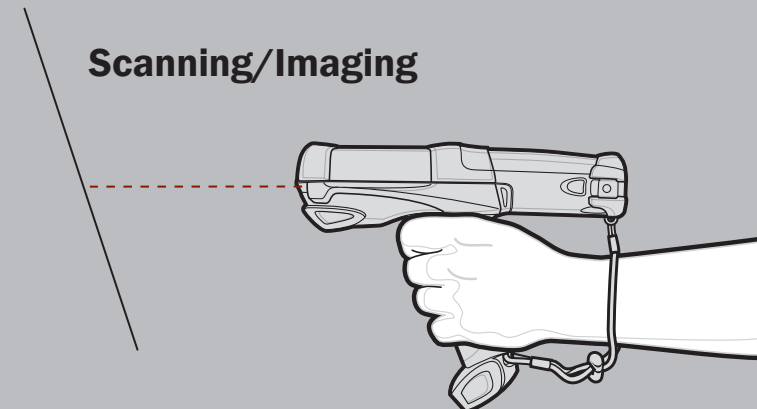
OPTIMUM IMAGING AND SCANNING POSITIONS



Camera Use



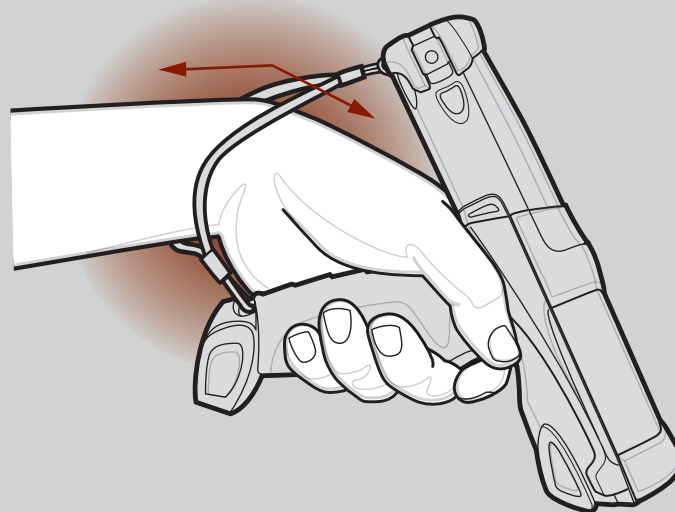
Scanning/Imaging



OPTIMUM UPRIGHT BODY POSTURE



AVOID EXTREME WRIST ANGLES

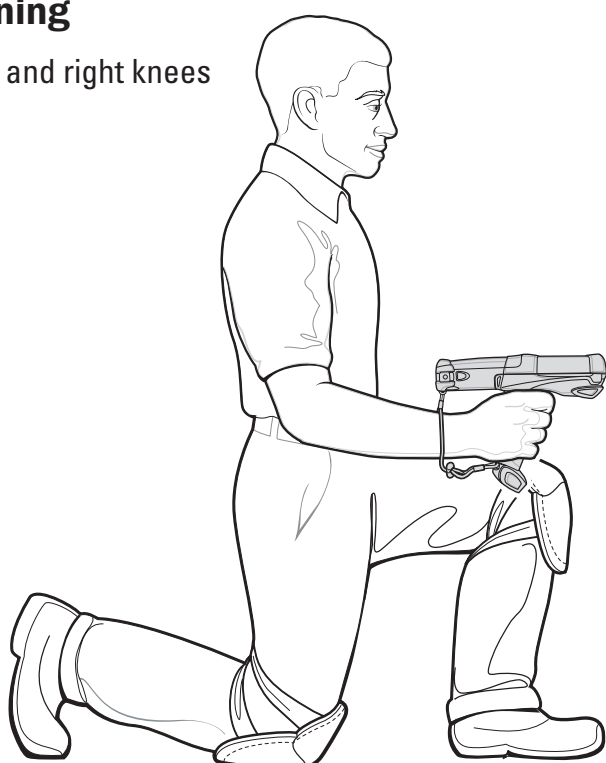


AVOID EXTREME WRIST ANGLES

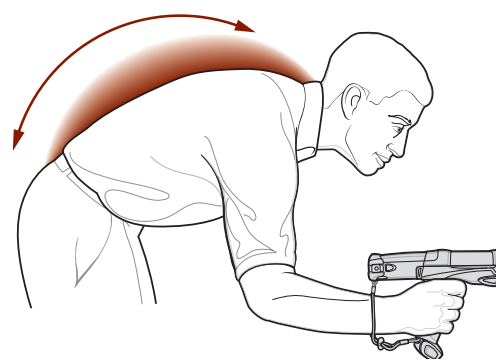


Low Scanning

Alternate left and right knees



AVOID BENDING



Alternate left and right hands



AVOID REACHING



High Scanning

Use a ladder



Taking breaks and task rotation recommended

<http://www.symbol.com/mc9000>

© Symbol Technologies, Inc. All rights reserved. Symbol® is a registered trademark and Symbol. The Enterprise Mobility Company, is a trademark of Symbol Technologies, Inc.

72-72217-01
Rev A September 2005



MC9090-G

Recommended Usage Guide

symbol
The Enterprise Mobility Company™